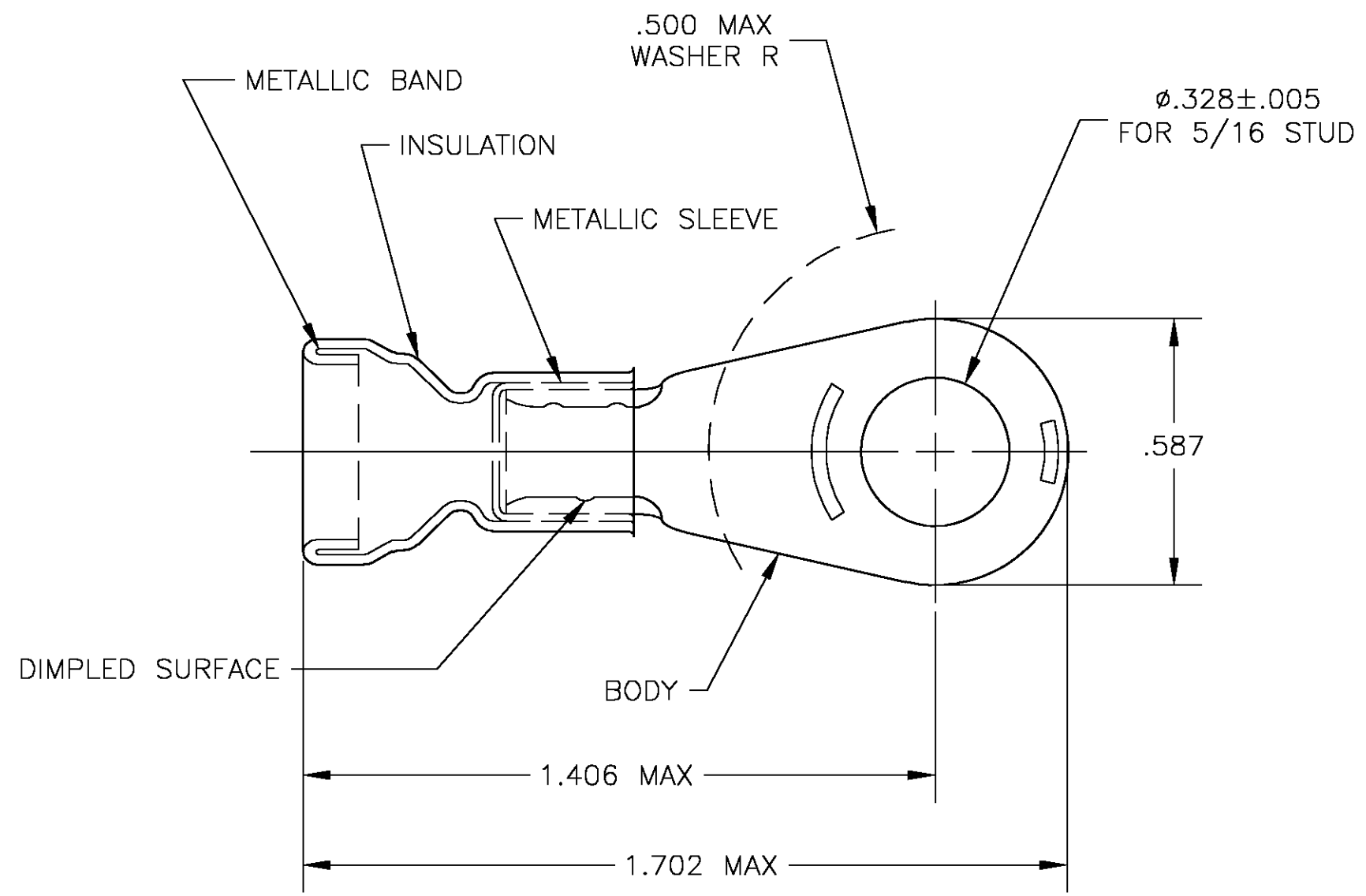


THIS DRAWING IS UNPUBLISHED. RELEASED FOR PUBLICATION
 © COPYRIGHT BY TYCO ELECTRONICS CORPORATION. ALL RIGHTS RESERVED.

LOC	DIST	REVISIONS			
P	LTR	DESCRIPTION	DATE	DWN	APVD
G	14	C	REDRAWN PER 0G3A-0589-03	03OCT03	JR MS



- 1 TONGUE MATERIAL THK IS .040±.003
- 2 FOR .377 MAX WIRE INSULATION DIA.
- 3 WIRE SIZE: 8

1	BODY: COPPER PER ASTM B152 TIN PLATE PER ASTM B545 INSULATION: PVC, COLOR RED METALLIC SLEEVE: COPPER ASTM B152 METALLIC BAND: STEEL QQ-S-698 ASTM A109	328525-0
QTY	MATERIAL & FINISH	PART NO.

THIS DRAWING IS A CONTROLLED DOCUMENT.		DWN jr_ruth 02OCT03	Tyco Electronics Corporation Harrisburg, PA 17105	
DIMENSIONS: INCHES		CHK MJ SPICER 03OCT03		
		APVD MJ SPICER 03OCT03	NAME WIRE TERMINAL AMPLI-BOND, RING TONGUE WIRE SIZE: 8	
TOLERANCES UNLESS OTHERWISE SPECIFIED:		PRODUCT SPEC	SIZE A3	
0 PLC ± -		APPLICATION SPEC	CAGE CODE 00779	DRAWING NO C-328525
1 PLC ± -		WEIGHT	RESTRICTED TO	
2 PLC ± -		CUSTOMER DRAWING	SCALE 3:1	
3 PLC ± .008			SHEET 1 OF 1	
4 PLC ± -			REV C	
ANGLES ± 5'				
MATERIAL SEE TABLE				
FINISH SEE TABLE				